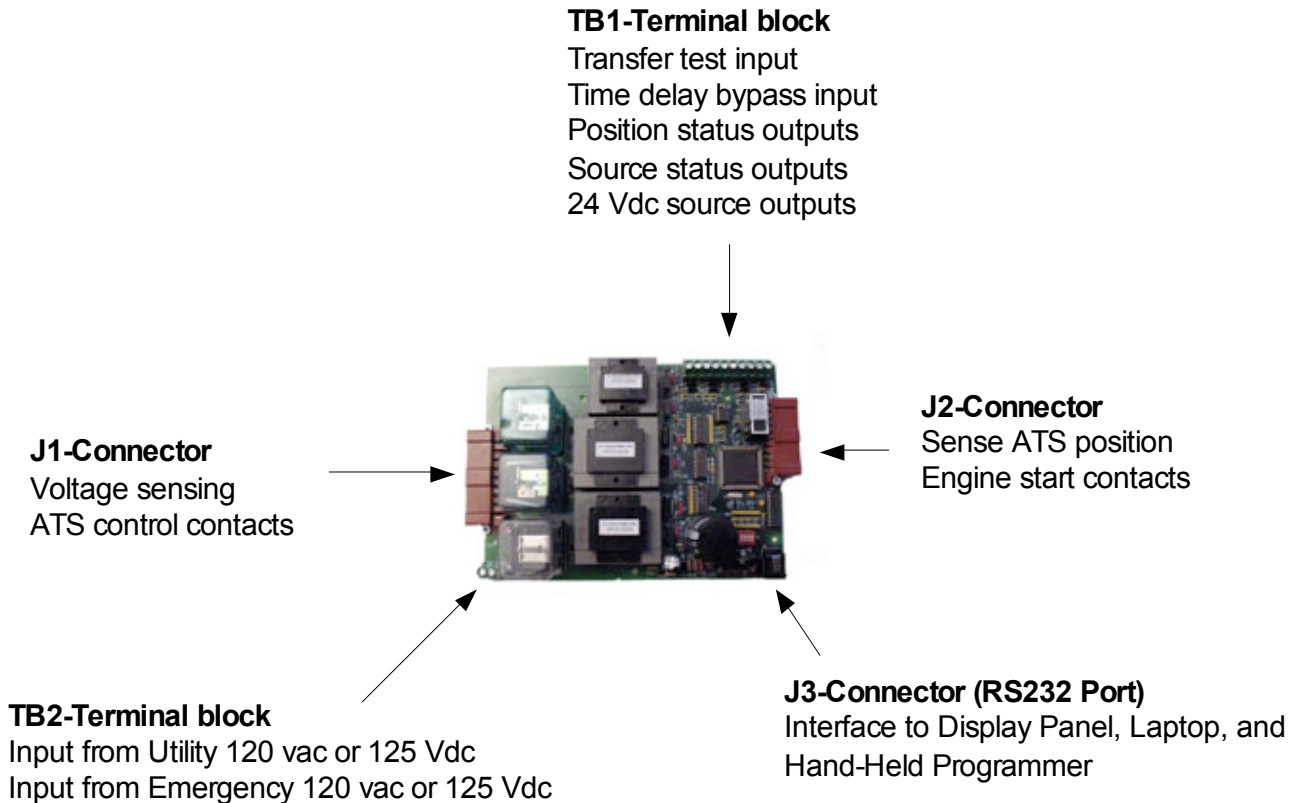


Mini Controller features

- 1.0 Operate a solenoid ATS or breaker pair ATS via dip switch
- 2.0 Designed for 480 vac or 208 vac operation (must specify during order)
- 3.0 Select for fast or slow operating ATS via dip switch
- 4.0 Operating frequency: 60 HZ (contact factory for 50 HZ operation)
- 5.0 Voltage and frequency settings are fixed
- 6.0 Operate an ATS in OPEN transition only
- 7.0 3-Phase sensing on Utility and 1-Phase on Emergency
- 8.0 Automatic engine start when Utility is unacceptable
- 9.0 Time delays are fixed:
 - Delay on engine start: 1 second
 - Transfer to Emergency: none
 - Re-transfer to Utility: 30 minutes
 - Engine cool down: 5 minutes
 - Momentary outage on Emergency: 1 second



MINI Terminal Block (TB)

<i>TB #</i>	<i>Function</i>	<i>Description</i>
1	TEST	Transfer Test
2	GND	Ground
3	TD BYPASS	Time Delay Bypass
4	24V	24 Volts
5	9A	Load on Normal
6	9B	Load on Emergency
7	24V	24 Volts
8	9C	Normal Available
9	9D	Emergency Available
10		

Table 1

ETC, Inc.

MINI Breaker Interface (J1)

<i>J1 pin#</i>	<i>Function</i>	<i>Description</i>
1		E-Trip
2		-----
3		N-Close
4		-----
5		N-Trip
6		-----
7		-----
8		-----
9		E-Close
10		EC
11		NA
12		NC
13		NB
14		-----
15		EA
16		-----
17		-----
18		-----
19		-----

Table 2

ETC, Inc.

MINI Breaker Interface (J2)

<i>J2 pin#</i>	<i>Wire marker</i>	<i>Description</i>
1	A	Normal Position (Normal Breaker)
2	B	Emergency Position (Emerg Breaker)
3	C	Position Common
4		-----
5	E	Engine Start Signal
6	F	Engine Start Signal
7		
8		
9		
10		

Table 3

ETC, Inc.

MINI/Asco Harness Interface (std 24 pin plug)

<i>Asco pin #</i>		<i>PMCP J2</i>	<i>PMCP J1</i>
1	TS-8		5
2	COIL A		17
3	TS-6		3
4	NC		12
5	COIL B		7
6	EC		10
7	EA		15
8	FEA 7 COMM	5	
9	FEA 7	6	
10	14 COMM	3	
11	NB		13
12	NA		11
13	14B	2	
14	14A	1	
15	TS-70		1
16	TS-72		9
17	FEA 8	4	
18	EB		19
19			
20			
21			
22			
23			
24			

Table 4

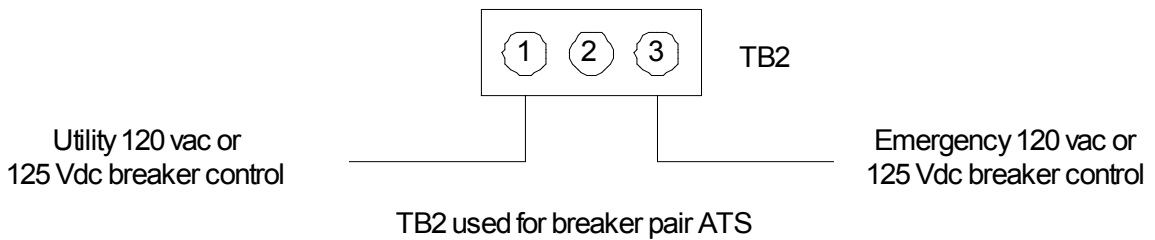
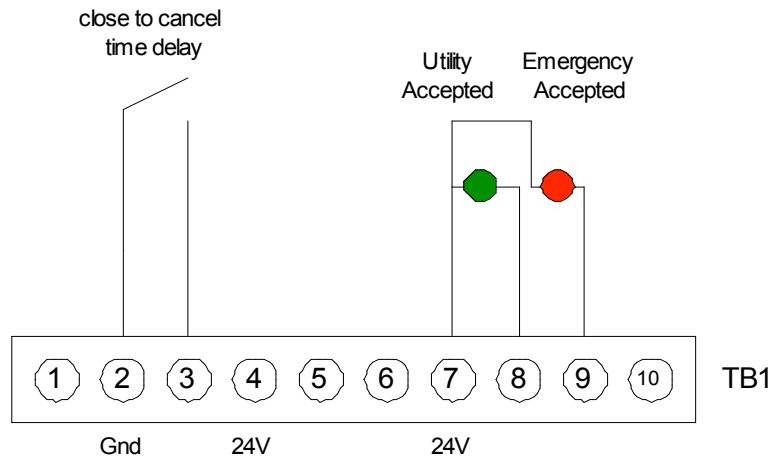
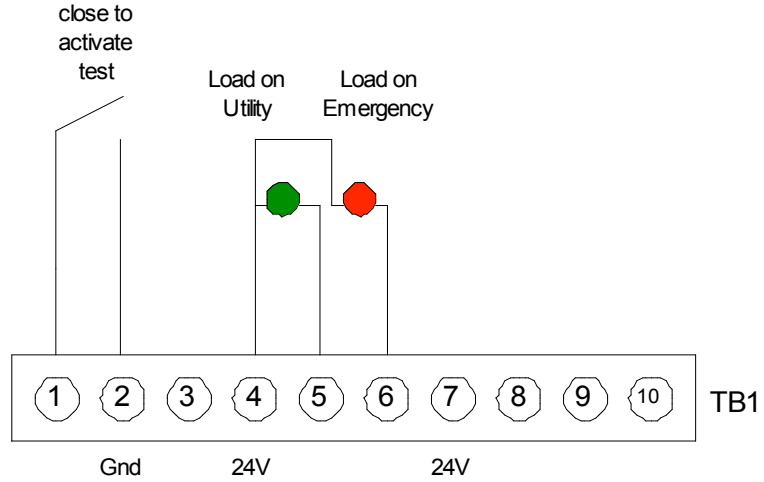
ETC, Inc.

MINI ATS Interface (J2)

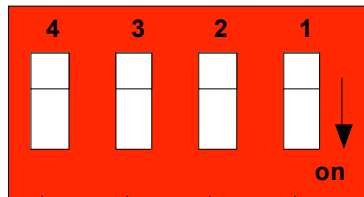
<i>J2 pin#</i>	<i>Function</i>	<i>Description</i>
1		Normal Position of ATS
2		Emergency Position of ATS
3		Position Common
4		-----
5		Engine Start Signal
6		Engine Start Signal
7		
8		
9		
10		

Table 5

Mini Controller Terminal Block Connections



Mini Controller Dip Switch functions



SW1

Select ATS type: **Off** = Solenoid ATS (Asco/Zenith)
On = Breaker Pair ATS

Select fast or slow ATS: **Off** = 200 ms (used for Asco/Zenith)
On = 600 ms (used for breaker pair ATS)

Spare....future use

Select operating voltage: **Off** = 480 vac
On = 208 vac

(Select operating voltage before powering up)